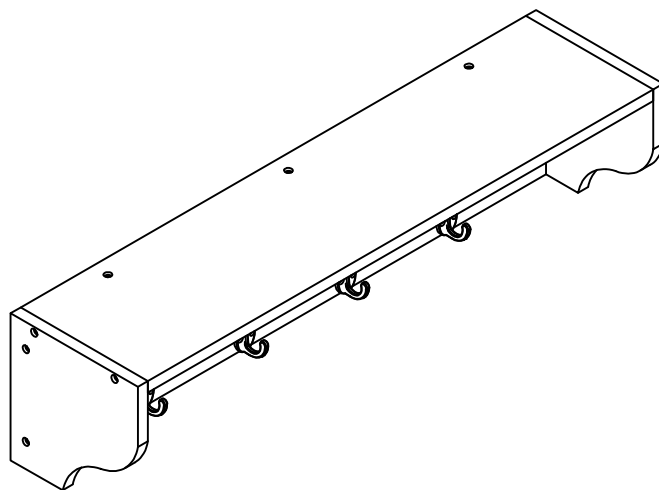


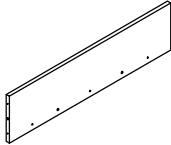
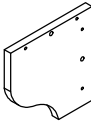
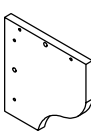
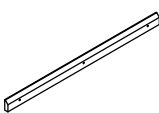
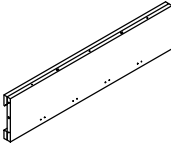


## Entryway Shelf


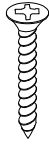
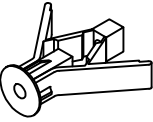



CF6028



# PART LIST

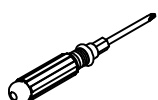
				
<p>Top Panel</p> <p>1 PC</p>	<p>Left Panel</p> <p>1 PC</p>	<p>Right Panel</p> <p>1 PC</p>	<p>Hanger Rod</p> <p>1 PC</p>	<p>Back Panel</p> <p>1 PC</p>

# HARDWARE LIST

<p>#1</p>  <p>Ø3.5*15mm</p>	<p>#2</p>  <p>Ø4*30mm</p>	<p>#3</p> 	<p>#4</p>  <p>Ø4*50mm</p>	<p>#5</p>  <p>Ø8*30mm</p>
<p>Short Screw</p> <p>8 PCS (Extra 1)</p>	<p>Screw</p> <p>11 PCS (Extra 1)</p>	<p>Wall Anchor</p> <p>3 PCS</p>	<p>Long Screw</p> <p>3 PCS</p>	<p>Wood Dowel</p> <p>6 PCS</p>
<p>#6</p>  <p>Hook</p> <p>4 PCS</p>				

ADDITIONAL TOOLS (Not Provided)

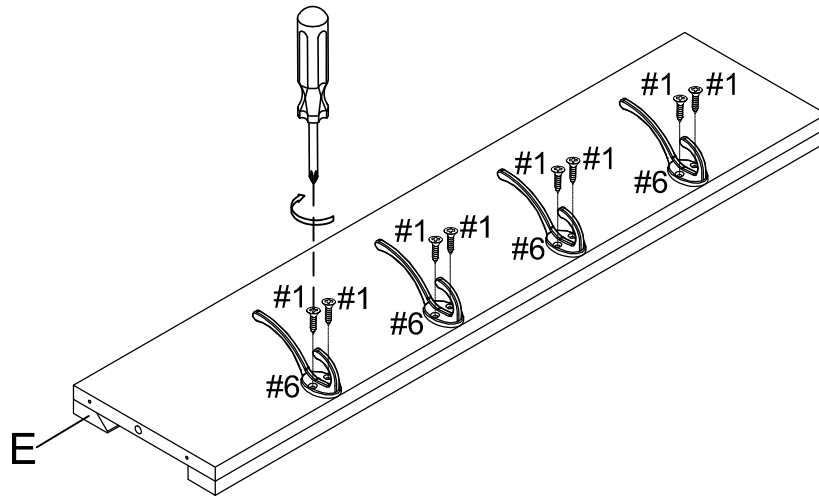
Note: It is not recommended to use power tools during assembly.





Phillips Head Screwdriver

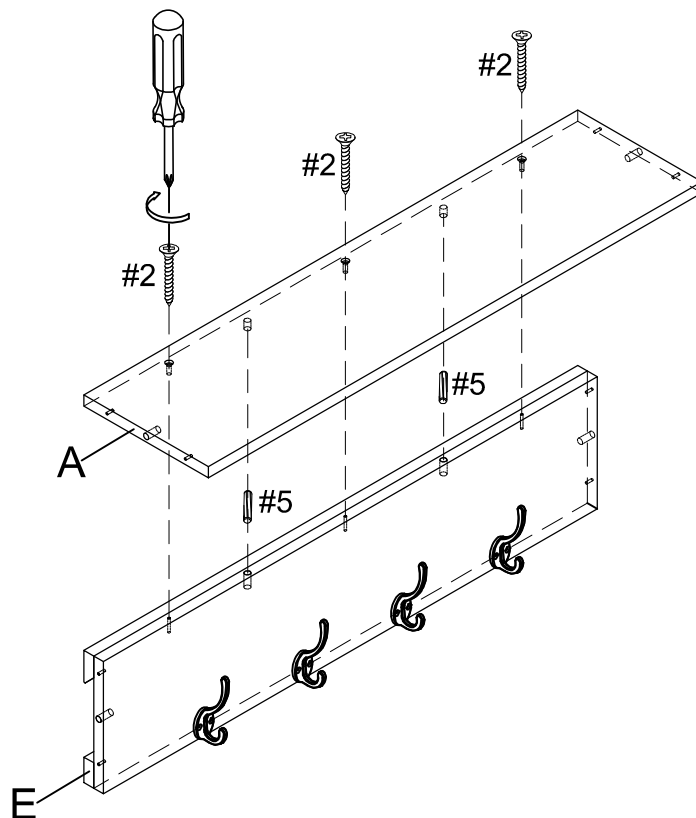
Note: Wood dowels are intended for alignment. Additional clearance between wood dowel and pre-drilled hole is intentional for ease of assembly.

Step 1. Attach hooks (part #6) to back panel (part E) using short screws (part #1) and phillips head screwdriver.



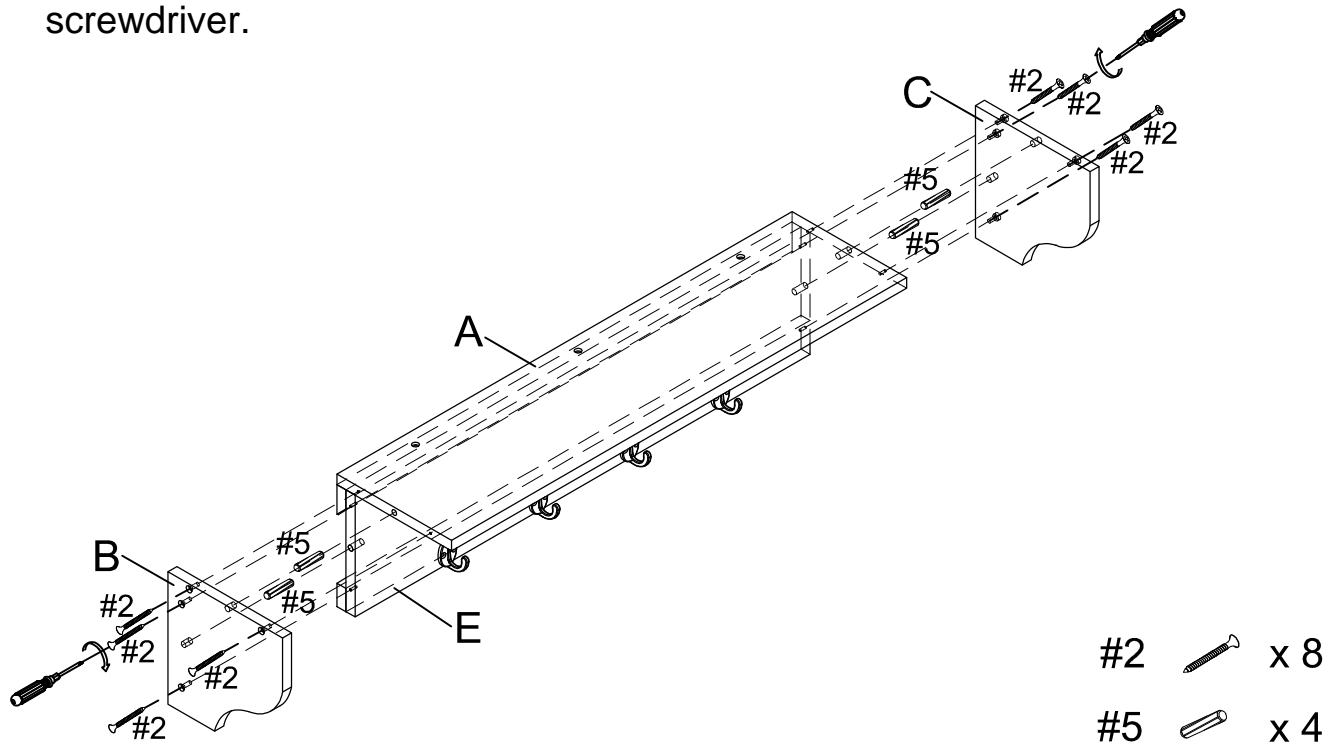
- #1  x 8
- #6  x 4

Step 2. Attach top panel (part A) to back panel (part E) using wood dowels (part #5), screws (part #2) and phillips head screwdriver.

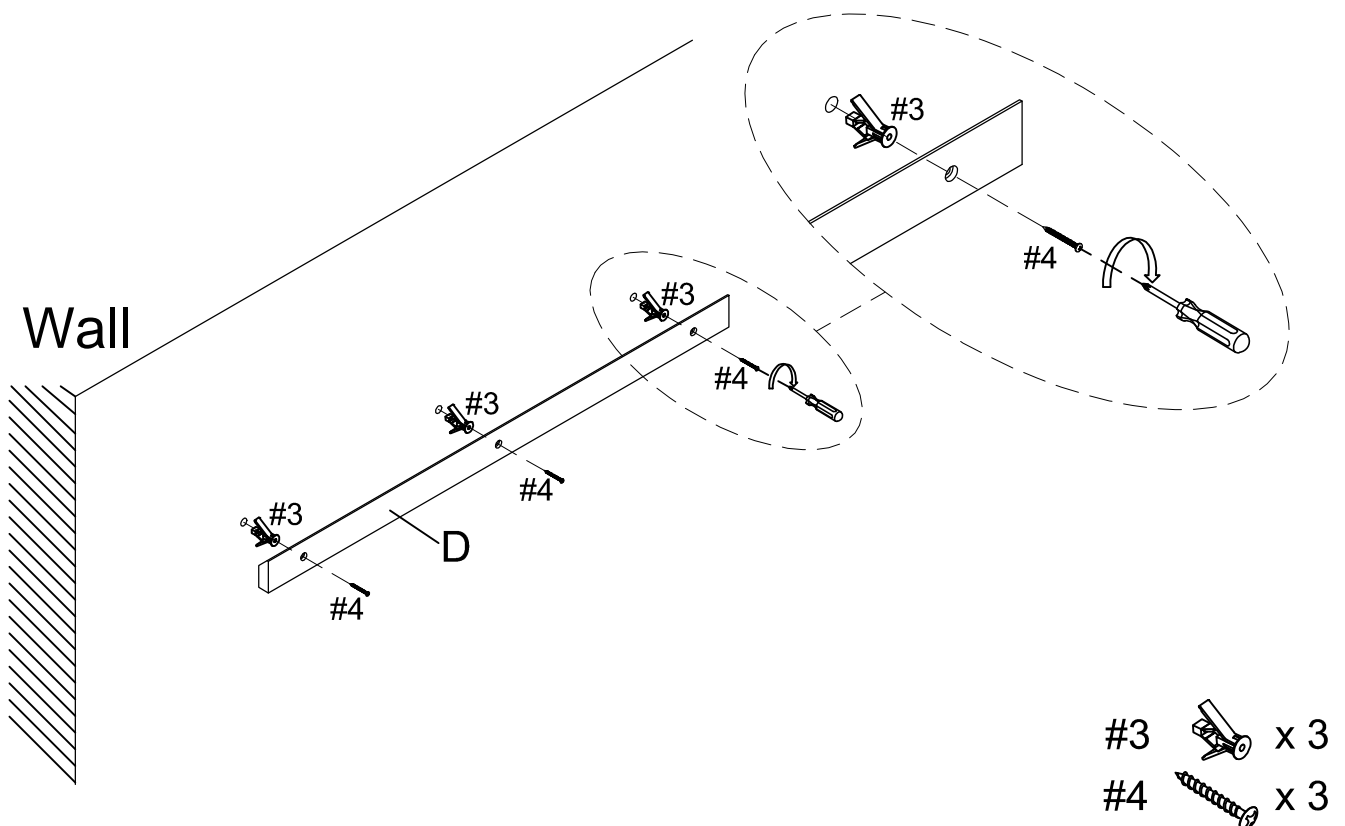


- #2  x 3
- #5  x 2

Step 3. Attach left panel (part B) and right panel (part C) to assembled unit (parts A & E) using wood dowels (part #5), screws (part #2) and phillips head screwdriver.



Step 4. Hold hanger rod (part D) in the desired location of shelf. The hanger rod (part D) will be about 2" lower than the top of shelf. Level hanger rod (part D) using a leveler to make sure it's oriented correctly. Use a pencil to mark wall anchors location using hanger rod (part D) screw holes as a guide. Drill three 11/32" holes in these marked spots and tap wall anchors (part #3) into the drilled holes. Secure hanger rod (part D) to wall anchors (part #3) using long screws (part #4) and phillips head screwdriver.



Step 5. Mount shelf by hooking back panel (part E) onto hanger rod (part D).

